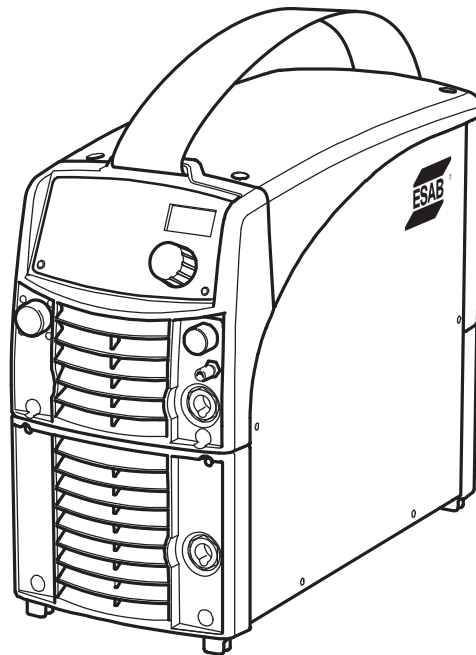


Spare parts list

Edition 20130418



AH 0634

Valid for serial no. 718-xxx-xxxx,828-xxx-xxxx,843-xxx-xxxx

Ordering no. Product

0460 150 880	Caddy® Tig 2200i AC/DC, TA34 AC/DC
0460 150 480	Caddy® Tig 2200i AC/DC, TA34 AC/DC, US version
0460 150 881	Caddy® Tig 2200i AC/DC, TA33 AC/DC
0460 150 481	Caddy® Tig 2200i AC/DC, TA33 AC/DC, US version
0460 150 882	Caddy® Tig 2200i AC/DC, TA33 AC/DC with MMA-kit and TXH 201
0460 150 482	Caddy® Tig 2200i AC/DC, TA33 AC/DC with MMA-kit and TXH 201, US version
0460 150 883	Caddy® Tig 2200i AC/DC, TA34 AC/DC with MMA-kit and TXH 201
0460 150 483	Caddy® Tig 2200i AC/DC, TA34 AC/DC with MMA-kit and TXH 201, US version
0460 150 484	Caddy® Tig 2200i AC/DC, TA34 AC/DC with MMA-kit and TXH 251, Water cooler CoolMini, 2-wheel trolley, US version
0460 150 885	Caddy® Tig 2200i AC/DC, TA33 AC/DC with MMA-kit and TXH 201 Australian version
0460 150 886	Caddy® Tig 2200i AC/DC, TA34 AC/DC with MMA-kit and TXH 201 Australian version

Spare parts are to be ordered through the nearest ESAB agency. Kindly indicate type of unit, serial number, denominations and ordering numbers according to the spare parts list.

Maintenance and repair work should be performed by an experienced person, and electrical work only by a trained electrician. Use only recommended spare parts.

Rights reserved to alter specifications without notice.

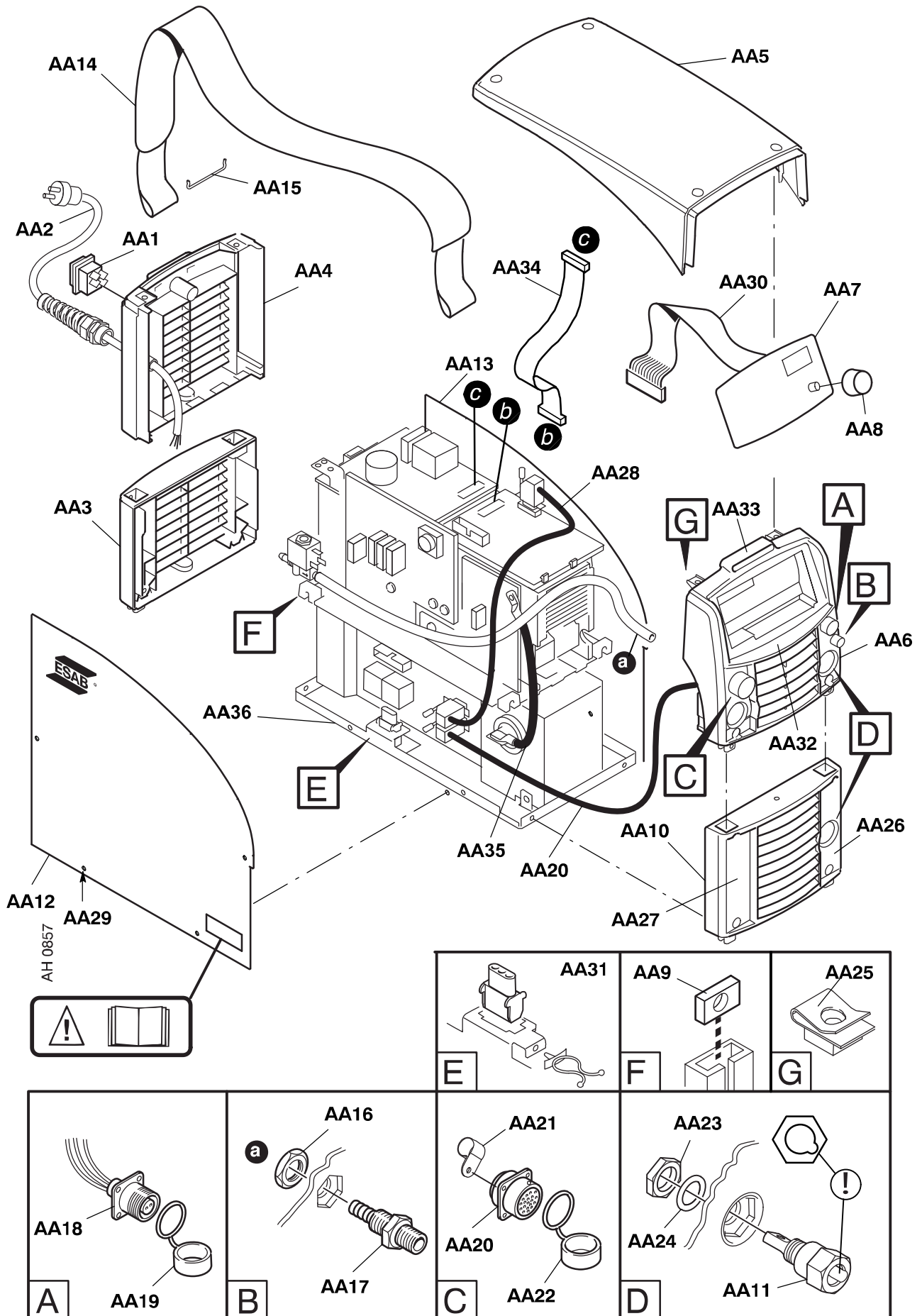
C = component designation in the circuit diagram

Item	Qty	Ordering no.	Denomination	Notes	C
AA1	1	0193 317 001	Switch	Included in item AA50	2QF1
AA2	1		Cord set	Included in item AA50	
AA3	1	0460 139 001	Rear panel AC		
AA4	1	0460 140 001	Rear panel		
AA5	1	0460 143 001	Cover		
AA6	1		Front panel	Included in item AA51	
AA7	1	0460 250 880	MMC Module TA34 AC/DC	Control panel complete. Includes items AA8 and AA30	
	1	0460 250 881	MMC Module TA33 AC/DC	Control panel complete. Includes items AA8 and AA30	
AA8	1	0460 600 528	Knob grey		
AA9	5	0366 588 001	Nut		
AA10	1	0460 141 001	Front AC	Front panel	
AA11	3	0160 362 025	Connector OKC 50	Included in item AA51	XS1, XS2
AA12	1	0460 155 001	Side panel	left	
AA13	1	0460 155 002	Side panel	right	
AA14	1	0460 265 001	Strap		
AA15	2	0468 497 001	Holder		
AA16	1		Nut	Included in item AA51, M8	
AA17	1	0459 269 002	Gas connection	Included in item AA51	
AA18	1		Socket	2 pole included in item AA52	29XS4
AA19	1	0457 626 001	Protection cap		
AA20	1	0458 681 897	Cable with connectors		XS25, XP5
AA21	1	0194 227 003	Clamp		
AA22	1	0366 285 001	Protection cap		
AA23	2	0366 247 001	Nut		
AA24	2	0366 306 003	Spring washer	Ø21/15x1	
AA25	6	0469 381 002	Fast lock nut	M5	
AA26	1	0460 230 002	Sticker		
AA27	1	0460 230 001	Sticker		
AA28	1	0458 681 898	Cable	Included connectors 20XP1, 20XP3 and ferrite rings 20L1 and 20L3	<-----
AA29		0194 179 327	Screw MRT	ground cutter, M5x12	
AA30	1	0193 700 711	Ribbon cable with connectors	34 pole	1XS1, 1XS2
AA31	1	0193 700 713	Ribbon cable with connectors	10 pole	5XS1, 5XS2
AA32	1		Sticker	Tig 2200i AC/DC	
AA33	1		Sticker	ESAB	
AA34	1	0193 700 702	Ribbon cable		
AA35	1		Cable set	See item AD12 on page 8	
AA36	1	0460 154 001	Bottom plate		

SPARE PARTS SETS

Item	Ordering no.	Denomination	Notes
AA50	0459 183 880	Mains module	Includes items: AA1 switch, AA2 mains cable with plug, cable clamp and two ferrite rings 2L1.
AA50	0459 183 882	Mains module	Includes items: AA1 switch, AA2 mains cable with plug, cable clamp and two ferrite rings 2L1. - Australian version
AA51	0460 379 880	Front complete	Includes items: AA6, AA11, AA16, AA17, AA18, AA19, AA20, AA21, AA22, AA23, AA24
AA52	0459 280 892	Cable set	Including item AA18, 2 pole socket 29XS4, 5 pole socket 29XS6, and the wires between them.

Tig 2200i AC/DC



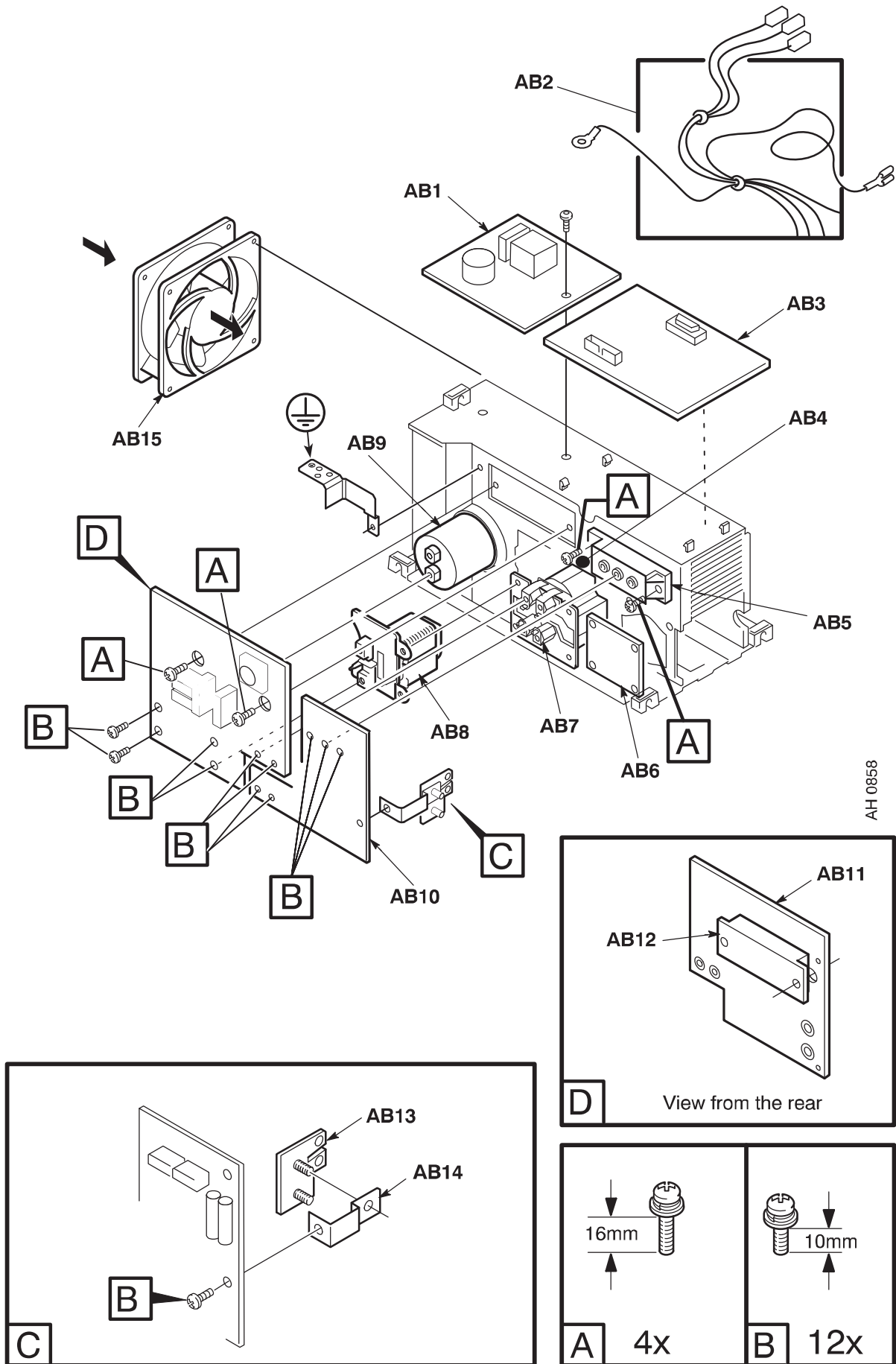
Tig 2200i AC/DC

C = component designation in the circuit diagram

Item	Qty	Ordering no.	Denomination	Notes	C
AB1	1	0487 631 880	Power supply board	Replaces 0487 064 884	2AP1
AB2	1	0193 700 702	Ribbon cable with connectors	10 pole	20XS3, 20XS4
AB3	1	0487 344 886	Control board	Configured for Tig 2200i AC/DC TA33	20AP1
	1	0487 344 888	Control board	Configured for Tig 2200i AC/DC TA34	20AP1
AB4	1	0468 940 005	Thermal switch	Socket connector 15XS5 included	15ST2
AB5	1		Diode module	See item AB50	15D1
AB6	1		Cover plate		
AB7	1	0459 355 881	Transformer	Includes: main transformer, socket 15XS4, socket 15XS6, thermal switch 15ST1	15TM1
AB8	1	0460 117 001	Inductor	PFC	15L2
AB9	1	0194 158 004	Capacitor	2200 uF 450 V DC	15C1
AB10		0487 303 880	Secondary board		15AP2
AB11	1		Circuit board	See item AB51	15AP1
AB12	1		Semiconductor module	See item AB51	
AB13	1	0468 030 880	Shunt		15RS1
AB14	1	0459 194 001	Busbar		
AB15	1	0458 065 002	Fan	24 V DC; With cables and socket 15XS3	15EV1

SPARE PARTS SETS

Item	Qty	Ordering no.	Denomination	Notes
AB50	1	0459 385 881	Diode module kit	Includes: item AB5 diode module, screws (type A and B), thermal compound and roller.
AB51	1	0459 384 884	Power board kit	Includes: item AB11 power board, item AB12 semiconductor module, screws (type A and B), thermal compound and roller.
-		0458 910 002	Roller handle	For the roller in the spare parts sets above
-		0192 058 101	Thermal compound	

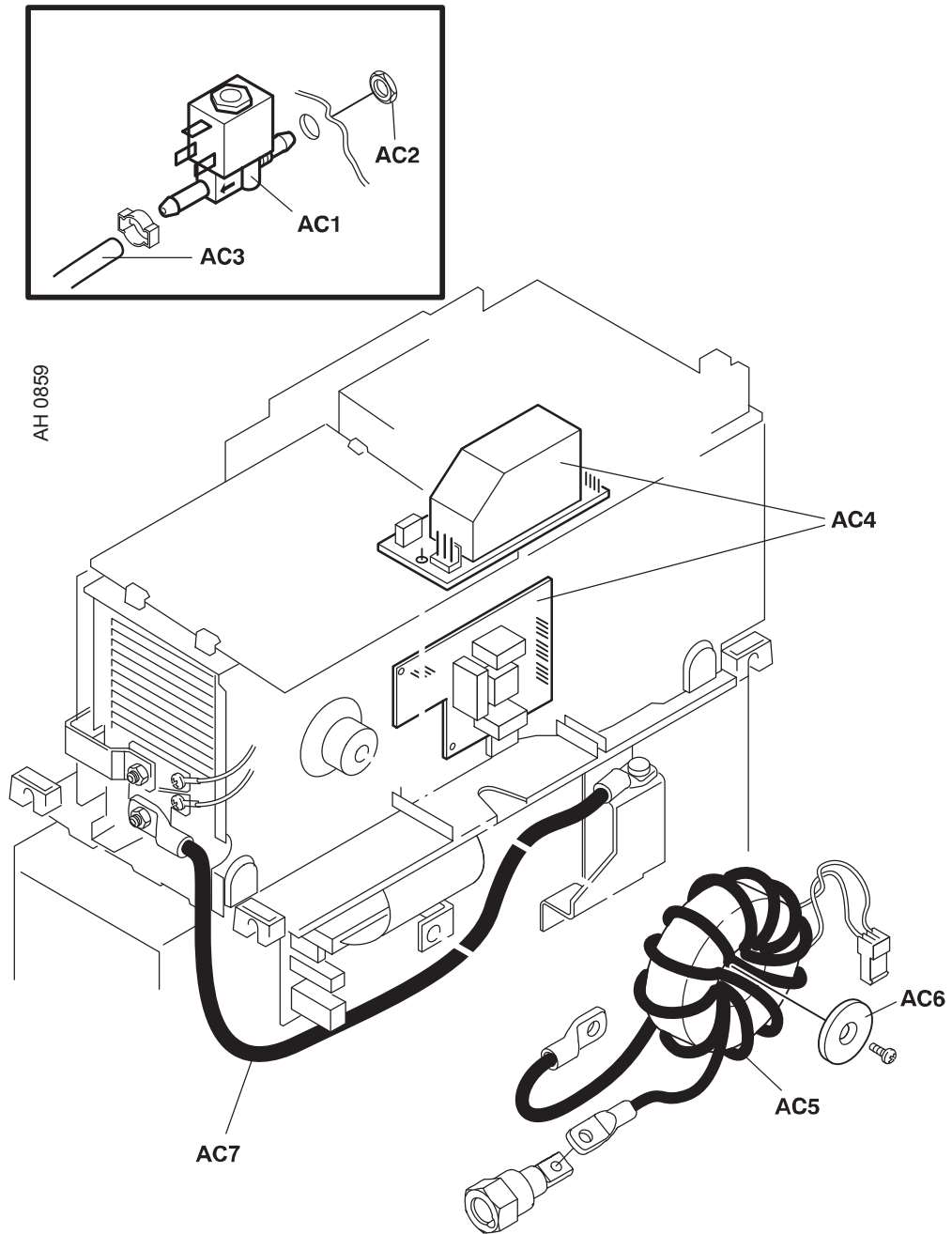


Tig 2200i AC/DC

C = component designation in the circuit diagram

Item	Qty	Ordering no.	Denomination	Notes	C
AC1	1	0193 054 005	Solenoid valve	230 V AC	10YV1
AC2	1		Nut	ML6M MF10x1	
AC3	1	0456 496 001	Hose	D = 9/5 mm, L = 0.57 metre reinforced PVC	
AC4	1	0487 028 880	Circuit board TIG		10AP1
AC5	1	0460 135 002	HF coil		10TV1, 10XS1
AC6	1	0459 258 001	Coil bracket		
AC7	1		Cable set	See item AD12 on page 8	

Tig 2200i AC/DC



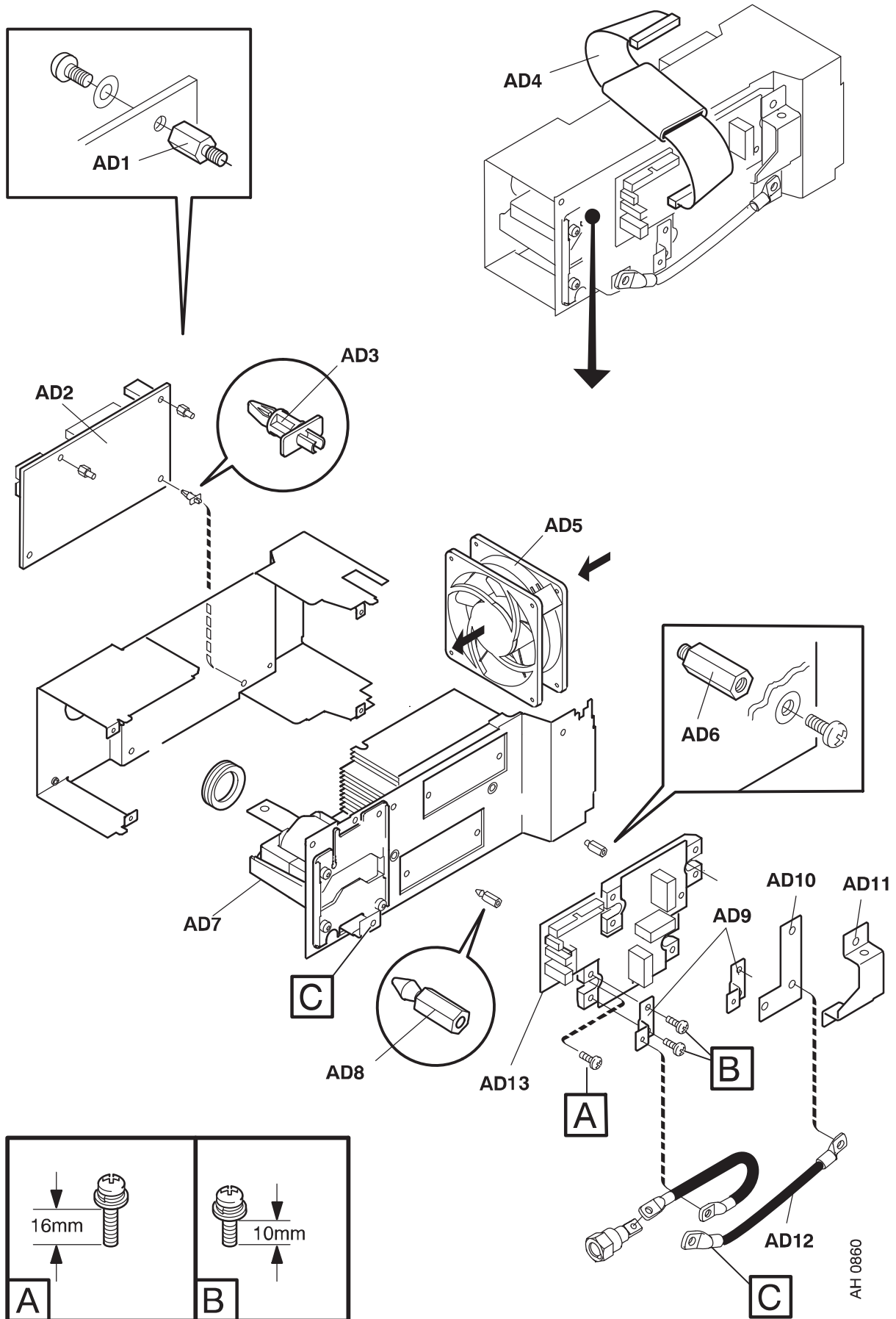
C = component designation in the circuit diagram

Item	Qty	Ordering no.	Denomination	Notes	C
AD1	2		Spacer	M5x8	
AD2	1	0487 503 880	AC Control board		18AP1
AD3	2		Spacer	28.6 mm	
AD4	1	0193 700 712	Ribbon cable with connectors	40 pole	18XS2, 18XS3
AD5	1	0467 801 002	Fan	24VDC socket 18XS4 included	18EV1
AD6	2		Spacer	M5x20	
AD7	1	0459 751 882	Inductor		15L1
AD8	2		Spacer	TCBS-10R	
AD9	2	0460 112 001	Bar	HF	
AD10	1	0460 114 001	Bar	plus	
AD11	1	0460 113 001	Bar	minus	
AD12	1	0460 152 980	Cable set	coarse	K9, K10, K11, K12
AD13	1		AC Power board	See item AD50	18AP2






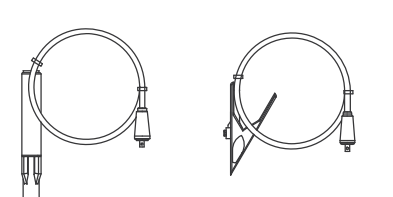
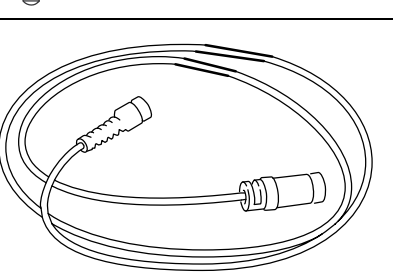
SPARE PARTS SETS

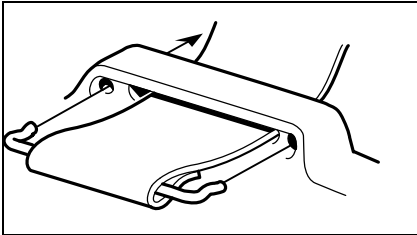
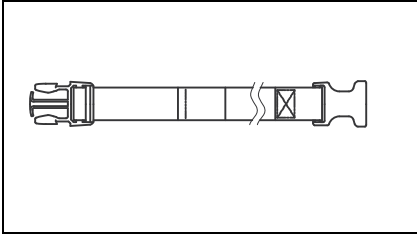
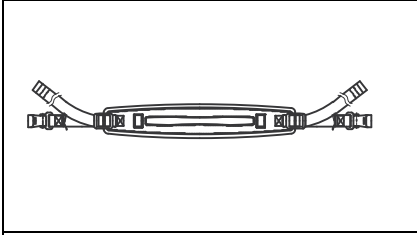
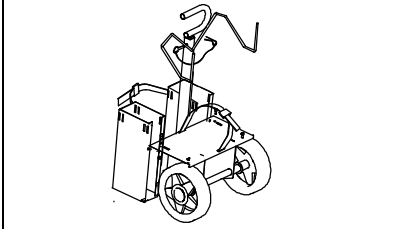

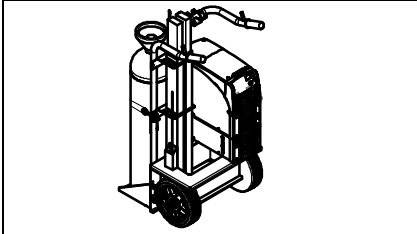
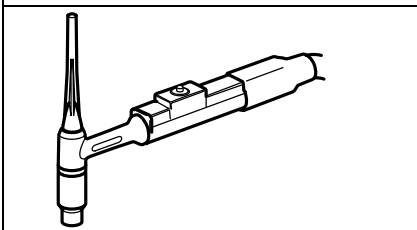
Item	Qty	Ordering no.	Denomination	Notes
AD50	1	0459 384 885	AC Power board set	incl. AC power board AD13, semi conductor module, screws (type A and B) thermal compound and roller.


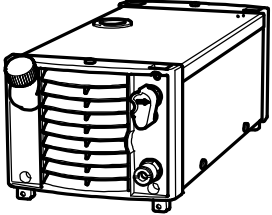
Tig 2200i AC/DC



Accessories

	<p>Remote control adapter RA12 12 pole 0459 491 910 For analogue remote controls to CAN based equipment.</p>
	<p>Remote control unit MTA1 CAN 0459 491 880 MIG/MAG: wire feed speed and voltage MMA: current and arc force TIG: current, pulse and background current</p>
	<p>Remote control unit M1 10Prog CAN 0459 491 882 Choice of on of 10 programs MIG/MAG: voltage deviation TIG and MMA: current deviation</p>
	<p>Remote control unit AT1 CAN 0459 491 883 MMA and TIG: current</p>
	<p>Remote control unit AT1 CF CAN 0459 491 884 MMA and TIG: rough and fine setting of current.</p>
	<p>Welding cable kit 0700 006 884 Return cable kit 0700 006 885</p>
	<p>Remote cable CAN 4 pole - 12 pole 5 m 0459 544 880 10 m 0459 554 881 15 m 0459 554 882 25 m 0459 554 883 0.25 m 0459 554 884</p>

	<p>Strap 0460 265 001</p>
	<p>Cable holder 0460 265 002</p>
	<p>Shoulder holder 0460 265 003</p>
	<p>Trolley for 5-10 litre gasbottle 0459 366 885</p>
	<p>Trolley for 20-50 litre gasbottle 0459 366 887</p>
	<p>Trolley for 20-50 litre gasbottle 0460 330 880</p>
	<p>Tig torch TXH 201 4 m 0700 300 552 Tig torch TXH 251w 4 m 0700 300 561</p>

	Foot pedal TI Foot CAN 0460 315 880
	Cooling unit CoolMini 0460 144 880

